

BAXI



LUNA 3 COMFORT

SPARE PARTS CATALOGUE

- March 2014 -

North America

HOW TO READ THE SPARE PARTS CATALOGUE

In the spare part catalogue, after the exploded diagrams, there are the components lists of the boilers; this is the meaning of the different columns:

Pos. Identification number of the component in the exploded diagram of the boiler.

Description Short description of the component.

Code BAXI S.p.A. code of the component.

Tab. XX XX is the exploded diagram number of the boiler taken into consideration.

Until 31th december 2011

From serial number Date (year and week) identifying the beginning of production of a component (taken from the serial number of the boiler).

e.g. B005: year 2000 (B identifies the decade 2000-2009; 0 identifies the year) – 5th week.

If the box is empty, the component is in use from the beginning of production of the boiler.

To serial number Date (year and week) identifying the end of production of a component (taken from the serial number of the boiler).

e.g. B012: year 2000 (B identifies the decade 2000-2009; 0 identifies the year) – 12th week.

If the box is empty, the component is still in use.

Interchangeable It identifies the interchangeability between the new component and the old one.

YES: components are interchangeable.

NO: components are not interchangeable.

Form 1st January 2012

From serial number Date (year and week) identifying the beginning of production of a component (taken from the serial number of the boiler).

e.g. 1201: year 2012 (1 identifies the decade 2010-2019; 2 identifies the year) – 01th week.

If the box is empty, the component is in use from the beginning of production of the boiler.

To serial number Date (year and week) identifying the end of production of a component (taken from the serial number of the boiler).

e.g. 1225: year 2012 (1 identifies the decade 2010-2019; 2 identifies the year) – 25th week.

If the box is empty, the component is still in use.

Interchangeable It identifies the interchangeability between the new component and the old one.

YES: components are interchangeable.

NO: components are not interchangeable.

BOILERS CONNECTION BOARD - EXPLODED VIEW

TABELLA COLLEGAMENTO CODICE CALDAIA - ESPLOSO

TABLERO UNIÓN CALDERA - EXPLOSIONADO

TABLEAU CONNECTION CODEX CHAUDIERE - VUE ECLATEE

BOILER CODE	BOILER DESCRIPTION	EXPLODED REF.
CODICE CALDAIA	DESCRIZIONE CALDAIA	RIF. ESPLOSO
CODIGO CALDERA	DESCRIPCION CALDERA	REF. EXPLOSIONADO
CODE CHAUDIÈRE	DESCRIPTION CHAUDIÈRE	RÉF. EXPLOSÉE
CUD455313580	LUNA3 COMFORT 1.310 Fi	Tab 273
CUD455311580	LUNA3 COMFORT 1.310 Fi GPL	Tab 273
CUD456313580	LUNA3 COMFORT 310 Fi	Tab 274
CUD456311580	LUNA3 COMFORT 310 Fi GPL	Tab 274
CUD456311582	LUNA3 COMFORT 310Fi (CAN) GPL	Tab 334
CUD456311581	LUNA3 COMFORT 310Fi (CAN)GPL	Tab 334
CUD456313582	LUNA3 COMFORT 310Fi CANADA	Tab 334
CUD456313581	LUNA3 COMFORT 310Fi CANADA	Tab 334

LUNA3 COMFORT

Pos	Code	Description code	CUD455311580 1.310FI LPG	CUD455313580 1.310FI	CUD455313580 310FI LPG	CUD456311580 310FI LPG	CUD456311581 310FI LPG	CUD45631582 310FI LPG	CUD456313580 310FI	CUD456313580 310FI	CUD456313581 310FI	CUD456313582 310FI	To serial number	From serial number	Interchan geable:
1	5683090	SUPPORT FRAME	•	•	•	•	•	•	•	•	•	•			
2	5681390	LEFT PANEL	•	•	•	•	•	•	•	•	•	•			
3	5681380	RIGHT PANEL	•	•	•	•	•	•	•	•	•	•			
4	5115970	FRONTAL PANEL LUNA3	•	•	•	•	•	•	•	•	•	•			
5	5110290	BRACKET-UPPER SUPPORT	•	•	•	•	•	•	•	•	•	•			
6	5109640	BRACKET-LOWER SUPPORT	•	•	•	•	•	•	•	•	•	•			
8	5408080	PRESSURE SWITCH PIPE L=270	•	•	•	•	•	•	•	•	•	•			
9	5108700	RESTRICTOR-AIR INTAKE	•	•	•	•	•	•	•	•	•	•			
10	5207060	FLUE ADAPTOR	•	•	•	•	•	•	•	•	•	•			
11	5407890	GASKET ADAPTOR	•	•	•	•	•	•	•	•	•	•			
12	5108690	PLATE BLANKING	•	•	•	•	•	•	•	•	•	•			
13	5407400	SUCTION CAP GASKET	•	•	•	•	•	•	•	•	•	•			
15	600530	JOINT ASSEMBLY		•	•	•	•			•	•	•			
17	5213750	CONVEYOR BEND LUNA3	•	•	•	•	•	•	•	•	•	•			
18	5413850	PRESS.SENS.VENTURI SINGLE TAP	•	•	•	•	•	•	•	•	•	•			
21	5402050	WASHER-SEALING	•	•	•	•	•	•	•	•	•	•			
22	5660110	FAN 1 SPEED	•	•	•	•	•	•	•	•	•	•			
23	617240	PRESSURE SWITCH ASSEMBLY	•	•	•	•			•	•			C139		
23	710794000	PRESSURE SWITCH ASSEMBLY						•			•				
23	710794000	PRESSURE SWITCH ASSEMBLY	•	•	•	•			•	•				C140	YES
24	5407930	PIPE - VALVE COMPENSATION	•	•	•	•			•	•			B923		
24	5414320	PIPE-VALVE COMPENS.4,5x8 L=170						•			•				
24	5414320	PIPE-VALVE COMPENS.4,5x8 L=170	•	•	•	•			•	•				B924	YES
25	5689400	FLUE CONVE. ASS.LUNA3 CANADA	•	•	•	•	•	•	•	•	•	•			
27	5680950	COMBUSTION CHAMBER ASS. 31KW	•	•	•	•	•	•	•	•	•	•			
28	5213190	INSULATING PANEL	•	•	•	•	•	•	•	•	•	•			
29	5213290	INSULATION - REAR PANEL	•	•	•	•	•	•	•	•	•	•			
30	5213340	INSULATING PANEL	•	•	•	•	•	•	•	•	•	•			
31	5111850	PANEL-COMB CHAMBER-105	•	•	•	•	•	•	•	•	•	•			
32	5689340	HEAT.EXCHANGER ASS. 31KW CANAD	•	•	•	•	•	•	•	•	•	•			
33	5403130	O-RING 22 x 3	•	•	•	•			•	•			1311		
33	710963000	OR 21,5X3 EP70 TFL	•	•	•	•			•	•				1312	YES
33	710963000	OR 21,5X3 EP70 TFL						•			•				
34	5112510	CLIP - HEAT EXCHANGER - FIXING	•	•	•	•	•	•	•	•	•	•			
35	5608840	EXPANSION VESSEL	•	•	•	•			•	•			C017		
35	5690740	EXPANSION VESSEL 10 L						•			•				
35	5690740	EXPANSION VESSEL 10 L	•	•	•	•			•	•				C018	YES
36	5653290	PIPE - EXPANSION VESSEL	•	•	•	•	•	•	•	•	•	•			
37	5655750	PANEL-COMBUSTION BOX	•	•	•	•	•	•	•	•	•	•			
38	5401610	VIEWING WINDOW GASKET	•	•	•	•	•	•	•	•	•	•			
39	5203930	VIEWING WINDOW	•	•	•	•	•	•	•	•	•	•			

Pos	Code	Description code	CUD455311580 1.310Fi LPG	CUD455313580 1.310Fi	CUD456311580 310Fi LPG	CUD456311581 310Fi LPG	CUD456311582 310Fi LPG	CUD456313580 310Fi	CUD456313581 310Fi	CUD456313582 310Fi	To serial number	From serial number	Interchan geable:
40	5115590	SURROUND-SIGHT GLASS	•	•	•	•	•	•	•	•			
41	5653300	BURNER ASSEMBLY (15 ELEMENTS)	•	•	•	•	•	•	•	•			
42	5604090	BURNER ELEMENT	•	•	•	•	•	•	•	•			
43	5680970	GAS RAMP WITH INJECT. (D.1,28)		•				•	•	•			
43	5689490	GAS RAMP ASS. 15 HOLES D.0,90	•		•	•	•						
44	608430	TRANSFORM. KIT N.G. (15x1,28)	•		•	•	•						
44	613080	LPG INJECTORS KIT (D.0,90)		•				•	•	•			
45	5407940	GASKET-BURNER MANIFOLD	•	•	•	•	•	•	•	•			
46	5657180	ADAPTOR-MANIFOLD	•	•	•	•	•	•	•	•			
47	5407810	GASKET-MANIFOLD ADAPTOR	•	•	•	•	•	•	•	•			
49	5207070	FLUE SAMPLE PLUG	•	•	•	•	•	•	•	•			
59	8419050	LEAD - IGNITION ELECTRODE	•	•	•	•	•	•	•	•			
61	5407830	INSULATION BOOT - ELECTRODE	•	•	•	•	•	•	•	•			
62	5409570	SEALED CHAMBER HOSE ADAPTER	•	•	•	•	•	•	•	•			
63	8422570	ELECTRODE - IGNITION	•	•	•	•	•	•	•	•			
70	5688850	ASSEMBLY PIPE PUMP/EXCHANGER	•	•	•	•	•	•	•	•			
72	5689390	PUMP WITH CON. UP15-60 A0 120V			•			•					
72	5689390	PUMP WITH CON. UP15-60 A0 120V	•	•		•			•		1238		
72	711051400	PUMP GRUNDFOS 15-62BX/AO	•	•							0413		
72	711051400	PUMP GRUNDFOS 15-62BX/AO				•			•		1304		
72	711051500	PUMP GRUNDFOS 15-58 12h ETL					•			•			
72	711051500	PUMP GRUNDFOS 15-58 12h ETL	•	•								0513	YES
72	711051500	PUMP GRUNDFOS 15-58 12h ETL				•			•			1305	YES
73	607290	AUTOMATIC AIR VENT	•	•	•	•	•	•	•	•			
75	5404670	GROMMET - PIPE ASSEMBLY	•	•	•	•	•	•	•	•			
76	5686680	DHW PLATE EXCHANGER 14 PLATE			•	•		•	•				
76	711613000	DHW PLATE EXCHANGER 14 PLATES					•			•			
77	5404520	DHW PLATE EXCHANGER GASKET			•	•		•	•				
77	711613500	DHW PLATE EXCHANGER OR					•			•			
80	5659060	HYDRAULIC INLET GROUP	•	•									
80	5687130	ES-RR ASS. C/RID12L 15.0634			•			•					
80	5696370	HYDR.INL.GR.WITH OUT BYPASS10L				•			•				
80	711607300	HYDR.INL.GR.WITH OUT BYPASS10L					•			•			
81	624410	FILTER ASS.WITH RED.10L-100291	•	•	•	•		•	•				
81	711633500	FILTER ASS.WITH RED.10L-100291						•		•			
87	631680	PUMP CONNECTING ELEMENT/OR			•	•		•	•			1302	YES
87	5210710	PUMP CONNECTING ELEMENT			•	•		•	•		1301		
87	711652300	PUMP CONNECTING ELEMENT/OR					•			•			
90	611930	FILLING GROUP			•	•	•	•	•	•			
91	5652030	DRAINING TAP	•	•	•	•	•	•	•	•			
92	5669850	SECURITY VALVE ASS.30 PSI	•	•	•	•	•	•	•	•			
98	5213880	BY-PASS PIPE CUBE			•			•					

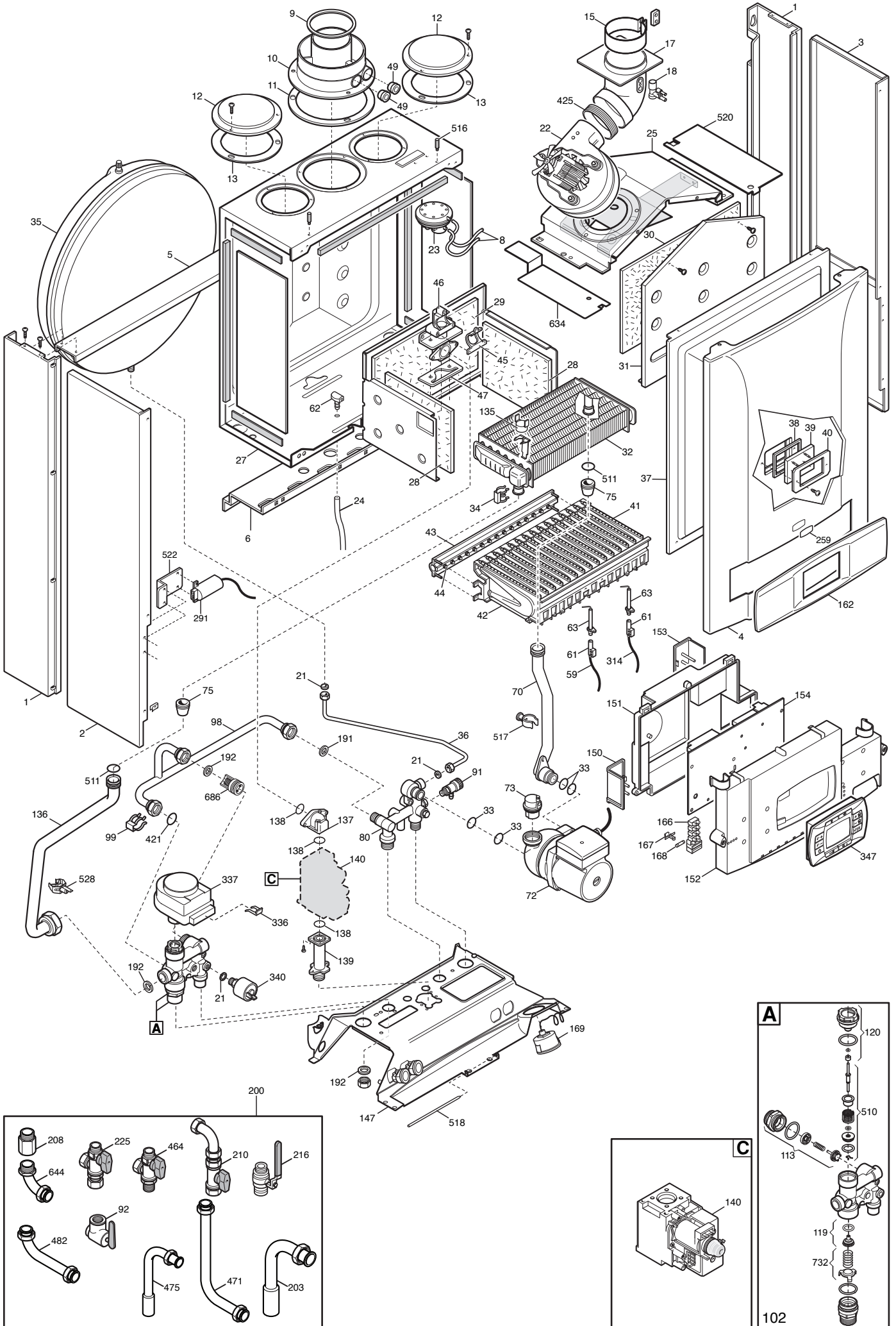


Pos	Code	Description code	LPG								To serial number	From serial number	Interchangeable:		
			1.310Fi	310Fi	310Fi	310Fi	310Fi	310Fi	310Fi	310Fi					
98	5672770	BY-PASS PIPE ASSEMBLY	•	•											
99	8380850	FIXING CLIP	•	•	•				•						
102	5683540	3 WAY VALVE/MB GROUP LUNA3	•	•											
102	5687140	MR-US ASSEM LUNA3 15.0633				•			•			1240			
102	5696040	3 WAY VALVE ASS.W.OUT BY-PASS						•		•		1240			
102	711107400	3 WAY VALVE ASS.W.OUT BY-PASS LUN						•		•			1241	YES	
102	711107500	MR-US ASS. LUNA3 IN HT				•			•				1241	YES	
102	711605800	3 WAY VALVE ASS.						•		•					
113	617100	BY-PASS GR.	•	•	•				•						
119	605760	HYDRAULIC VENTURI ASSEMBLY	•	•	•				•						
120	600750	SPACER ASSEMBLY	•	•	•				•						
120	626710	DHW PADDLE GROUP -10.0355-						•		•		B846			
120	627880	DHW PADDLE GROUP -10.0397-						•		•		1320			
120	711356900	3 WAY VALVE CARTRIDGE						•		•					
120	711356900	3 WAY VALVE CARTRIDGE						•		•			1321	YES	
122	5405370	O-RING			•	•	•	•	•	•	•				
131	8434820	TEMPERATURE SENSOR			•	•	•	•	•	•	•				
132	5402830	WASHER - SENSOR SEALING			•	•	•	•	•	•	•				
135	9951610	LIMIT THERMOSTAT 105°C	•	•	•	•	•	•	•	•	•				
136	5685320	EXCHANGER PIPE ASS. M.R. AVANT	•	•	•	•	•	•	•	•	•				
137	5210700	ELBOW - GAS FLOW OUTLET	•	•	•	•	•	•	•	•	•				
138	5402010	O RING 22.22x2.62	•	•	•	•	•	•	•	•	•				
139	5210630	CONNECTOR - GAS VALVE INLET	•	•	•	•	•	•	•	•	•				
140	5689330	GAS VALVE SIT 845 SIGMA 120V	•	•	•	•	•	•	•	•	•				
147	5680910	SUPPORT FRAME			•	•	•	•	•	•	•				
147	5683010	CONNECTION TRAVERSE	•	•											
150	5413370	COVER TERMINAL BLOCK	•	•	•	•	•	•	•	•	•				
151	5413360	COVER CONTROL BOX LUNA3	•	•	•	•	•	•	•	•	•				
152	5413350	CONTROL PAN.LUNA3 COMFORT CANA	•	•	•	•	•	•	•	•	•				
153	5408580	TERMINAL BOARD COVER	•	•	•	•	•	•	•	•	•				
154	5689370	PCB B&P DIMS 28 -120V-	•	•	•	•	•	•	•	•	•				
162	5682660	COVER ASSEMBLY	•	•	•	•	•	•	•	•	•				
166	8423320	TERMINAL BOARD	•	•	•	•	•	•	•	•	•				
167	5405340	FUSE HOLDER	•	•	•	•	•	•	•	•	•				
168	8422730	FUSE 3,15A 250V	•	•	•	•	•	•	•	•	•				
169	9951650	MANOMETER D.40	•	•	•	•	•	•	•	•	•				
191	5408970	WASHER - SEALING G1/2	•	•											
192	5404650	SEALING WASHER G 3/4	•	•	•	•	•	•	•	•	•				
200	5669870	HYDRAULIC CONN. 1.310Fi CANADA	•	•											
200	5669930	CONNECTION ASS 310Fi CANADA			•	•	•	•	•	•	•				
203	5660140	PIPE ASSEMBLY D.18	•	•	•	•	•	•	•	•	•				
204	9951280	DOMES. WATER INLETPE ASS.G1/2			•	•	•	•	•	•	•				

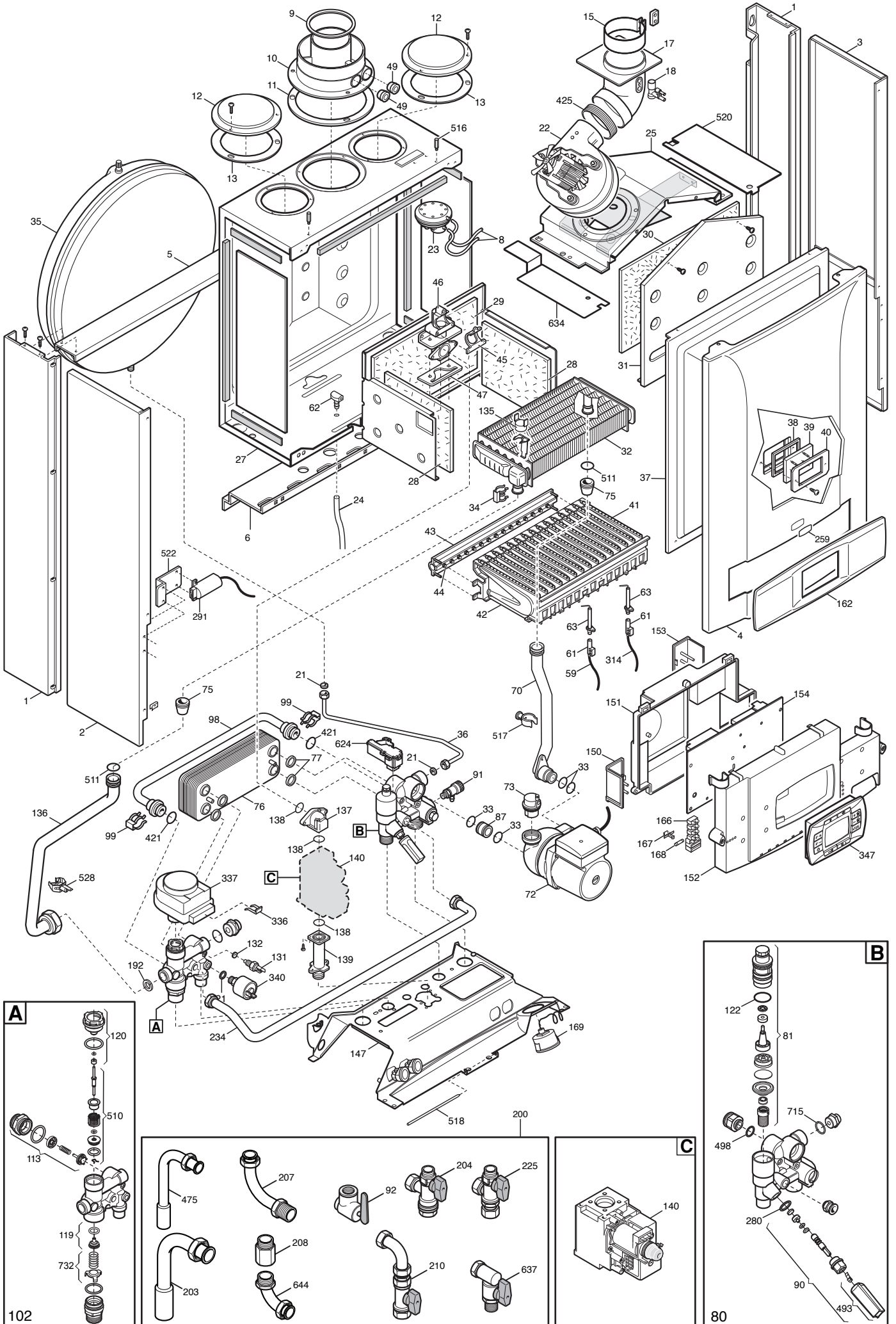


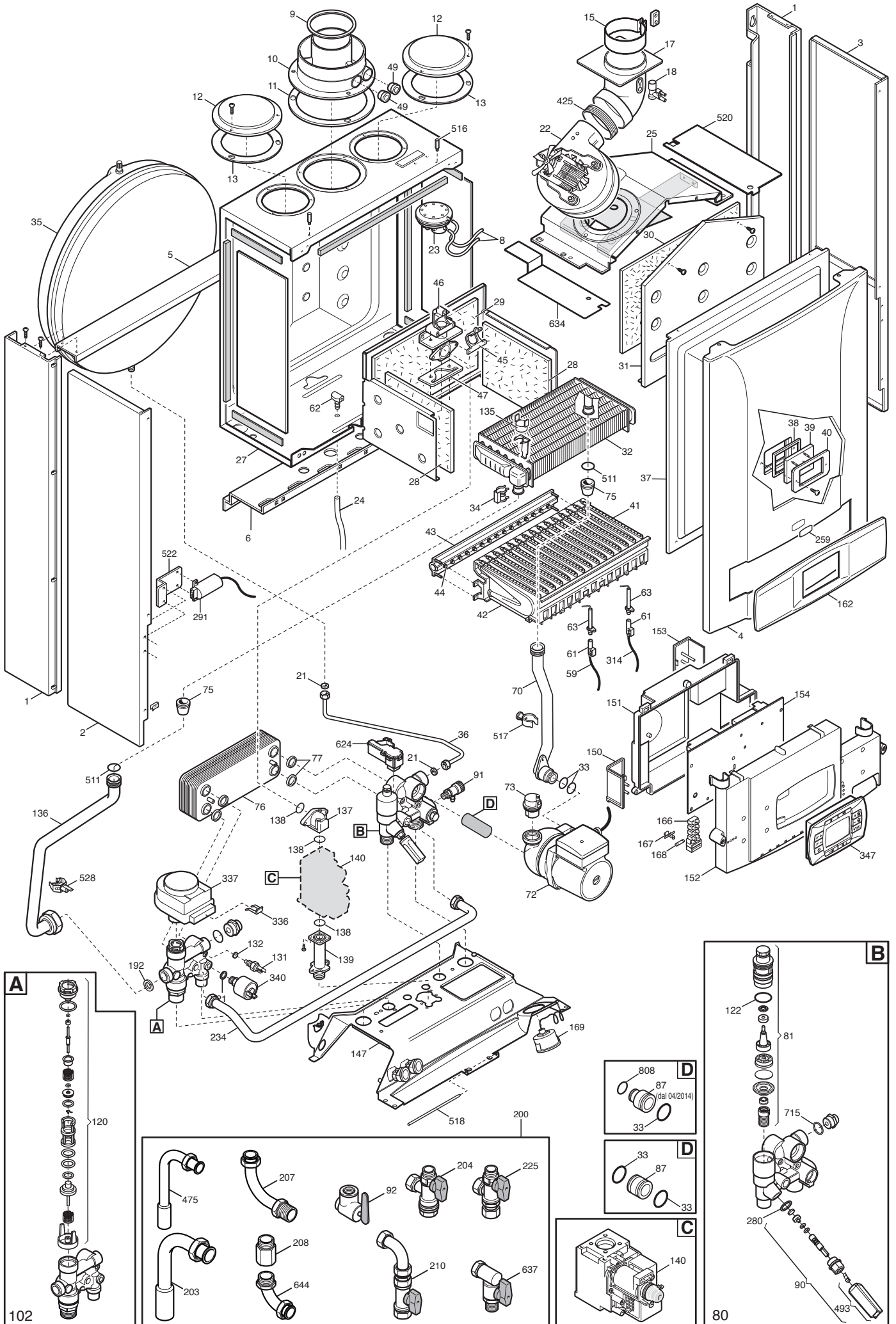
Pos	Code	Description code	CUD455311580 1.310Fi LPG	CUD455313580 1.310Fi	CUD456311580 310Fi LPG	CUD456311581 310Fi LPG	CUD456311582 310Fi LPG	CUD456313580 310Fi	CUD456313581 310Fi	CUD456313582 310Fi	To serial number	From serial number	Interchan geable:
732	620210	SPRING ASS.	•	•	•			•					
808	721311400	O-RING 18X2					•		•				
999	8512880	CABLE SENS/MOD/PRES.H2O/P.SAN			•	•	•	•	•	•			
999	8512890	CABL.SENSO/PRESS.FLUE/SAFET.TH	•	•	•	•	•	•	•	•			
999	8512900	CABLE EARTH CANADA	•	•	•	•	•	•	•	•			
999	8512910	CABLE PCB/TERM.BLOCK REMOTE	•	•	•	•	•	•	•	•			
999	8512920	CABLE TERM.BLOCK/REMOTE CONTR.	•	•	•	•	•	•	•	•			
999	8512940	CABLE POWER SUPPLY PCB	•	•	•	•	•	•	•	•			
999	8512970	CABL.SENS/MOD/PRESS.SWIT.PUMP	•	•									
999	8513140	CABLE POWER SUPP.3WV/PUMP/FAN	•	•	•	•	•	•	•	•			
999	8513150	CABLE POWER SUPP.GAS VAL/IGNIT	•	•	•	•	•	•	•	•			

Tab 273



Tab 274





BAXI

BAXI S.p.A.
Via Trozzetti, 20
36061 BASSANO DEL GRAPPA (VI)
ITALY
Tel. +390424517111
Telefax +390424517379
E-mail. service@baxi.it