

BAXI



LUNA HT



**SPARE PARTS
CATALOGUE**
- September 2014 -



HOW TO READ THE SPARE PARTS CATALOGUE

In the spare part catalogue, after the exploded diagrams, there are the components lists of the boilers; this is the meaning of the different columns:

Pos.	Identification number of the component in the exploded diagram of the boiler.
Description	Short description of the component.
Code	BAXI S.p.A. code of the component.
Tab. XX	XX is the exploded diagram number of the boiler taken into consideration.

Until 31th December 2011

From serial number	Date (year and week) identifying the beginning of production of a component (taken from the serial number of the boiler). e.g. B005: year 2000 (B identifies the decade 2000-2009; 0 identifies the year) – 5th week. If the box is empty, the component is in use from the beginning of production of the boiler.
To serial number	Date (year and week) identifying the end of production of a component (taken from the serial number of the boiler). e.g. B012: year 2000 (B identifies the decade 2000-2009; 0 identifies the year) – 12th week. If the box is empty, the component is still in use.
Interchangeable	It identifies the interchangeability between the new component and the old one. YES: components are interchangeable. NO: components are not interchangeable.

From 1 st January 2012

From serial number	Date (year and week) identifying the beginning of production of a component (taken from the serial number of the boiler). e.g. 1201: year 2012 (1 identifies the decade 2010-2019; 2 identifies the year) – 01th week. If the box is empty, the component is in use from the beginning of production of the boiler.
To serial number	Date (year and week) identifying the end of production of a component (taken from the serial number of the boiler). e.g. 1225: year 2012 (1 identifies the decade 2010-2019; 2 identifies the year) – 25th week. If the box is empty, the component is still in use.
Interchangeable	It identifies the interchangeability between the new component and the old one. YES: components are interchangeable. NO: components are not interchangeable.

TABELLA COLLEGAMENTO CODICE CALDAIA - ESPLOSO TABLEAU CONNECTION CODEX CHAUDIERE - VUE ECLATEE BOILERS CONNECTION BOARD - EXPLODED VIEW

BOILER CODE	BOILER DESCRIPTION	EXPLODED REF.
CODICE CALDAIA	DESCRIZIONE CALDAIA	RIF. ESPLOSO
CODIGO CALDERA	DESCRIPCION CALDERA	REF. EXPLOSIONADO
CODE CHAUDIÈRE	DESCRIPTION CHAUDIÈRE	RÉF. EXPLOSÉE
HUB435100211	LUNA HT 1.1000 CANADA - USA	Tab 269
HUB435100210	LUNA HT 1.1000 CANADA - USA	Tab 269
HUB435453216	LUNA HT 1.450	Tab 46
HUB435453215	LUNA HT 1.450	Tab 46
HUB435453210/1/2/3/4	LUNA HT 1.450	Tab 46
HUB435653216	LUNA HT 1.650	Tab 46
HUB435653215	LUNA HT 1.650	Tab 46
HUB435653210/1/2/3/4	LUNA HT 1.650	Tab 46



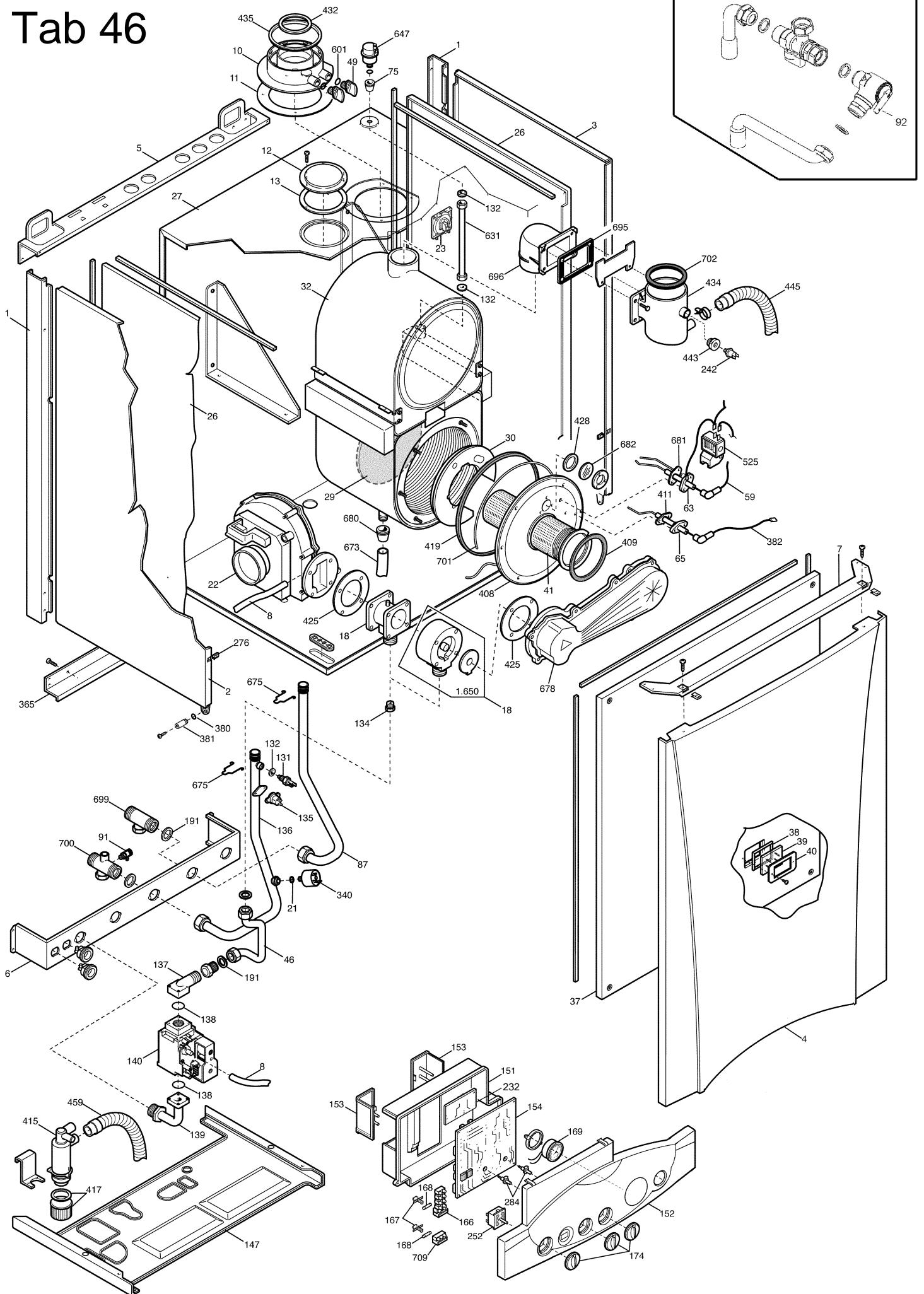
Pos	Code	Description code	Hub Codes								To serial number	From serial number	Interchangeable:	
			HUB435100210 1.1000	HUB435100211 1.1000	HUB4353210/1/2/3/4 1.450	HUB4353215 1.450	HUB4353216 1.450	HUB4353215 1.650	HUB4353216 1.650	HUB4353216 1.650				
1	5106510	REAR SUPPORT			•			•				B640		
1	5116480	SUPPORT FRAME	•	•		•	•		•	•				
1	5116480	SUPPORT FRAME			•			•					B641	
2	3624180	LATERAL PANEL ASS. HT85-100	•	•										
2	5663160	LEFT PANEL ASSEMBLY			•			•				B640		
2	5684630	LEFT PANEL ASSEMBLY SX ATM				•	•		•	•				
2	5684630	LEFT PANEL ASSEMBLY SX ATM			•			•					B641	
3	5663140	RIGHT PANEL ASSEMBLY FF			•			•				B640		
3	5684620	RIGHT PANEL ASSEMBLY FF				•	•		•	•				
3	5684620	RIGHT PANEL ASSEMBLY FF			•			•					B641	
4	5115330	FRONTAL PANEL NUVOLA HT			•			•				B640		
4	5116470	FRONTAL PANEL	•	•		•	•		•	•				
4	5116470	FRONTAL PANEL			•			•					B641	
5	5114030	UPPER BAR NUVOLA HT330			•	•	•	•	•	•				
5	5116010	UPPER SUPPORT	•	•										
6	5114580	CONNECTIONS SUPPORT			•	•	•	•	•	•				
6	5116020	CONNECTION TRAVERSE HT85-100	•	•										
7	5107950	OUTERCASE BRACKET	•	•	•	•	•	•	•	•				
8	5406720	PRESSURE SWITCH PIPE			•	•	•	•	•	•				
8	5410080	SILICONE PIPE D.8 L=800	•	•										
10	3624410	FLUE ADAPTOR 100/110/160	•	•										
10	5670520	FLUE CONNECTION ASS. 80/120			•	•	•	•	•	•				
11	5410710	GASKET ADAPTOR			•	•	•	•	•	•				
11	5412470	GASKET ADAPTOR 160MM	•	•										
12	5108690	PLATE BLANKING			•	•	•	•	•	•				
12	5116110	PLATE BLANKING 110	•	•										
13	5407400	SUCTION CAP GASKET			•	•	•	•	•	•				
13	5412420	GASKET - BLANKING PLATE 110	•	•										
18	618520	DIFF. VENTURI D.30 GROUP						•	•	•				
18	3621230	PRESSURE SENSING VENTURI	•	•										
18	5663330	MIXER AL 21 AGU3.654A009			•	•	•							
21	5402050	WASHER-SEALING	•	•	•	•	•	•	•	•				
22	3624430	FAN RG148/1200 CANADA	•	•										
22	5676650	FAN HT			•	•	•	•	•	•				
23	619630	FLUE PRESSURE SWITCH 400-350Pa	•	•		•	•		•	•				
23	619630	FLUE PRESSURE SWITCH 400-350Pa			•			•					B531	
26	5114610	SEALED CHAMBER LATERAL PANEL			•	•	•	•	•	•				
26	5116130	SEALED CHAMBER LATERAL PANEL	•	•										
27	3111180	SEALED CHAMB.ASS.LUNA HT1.1000	•	•										
27	5114600	SEALED CHAMBER ASSY			•			•				B530		

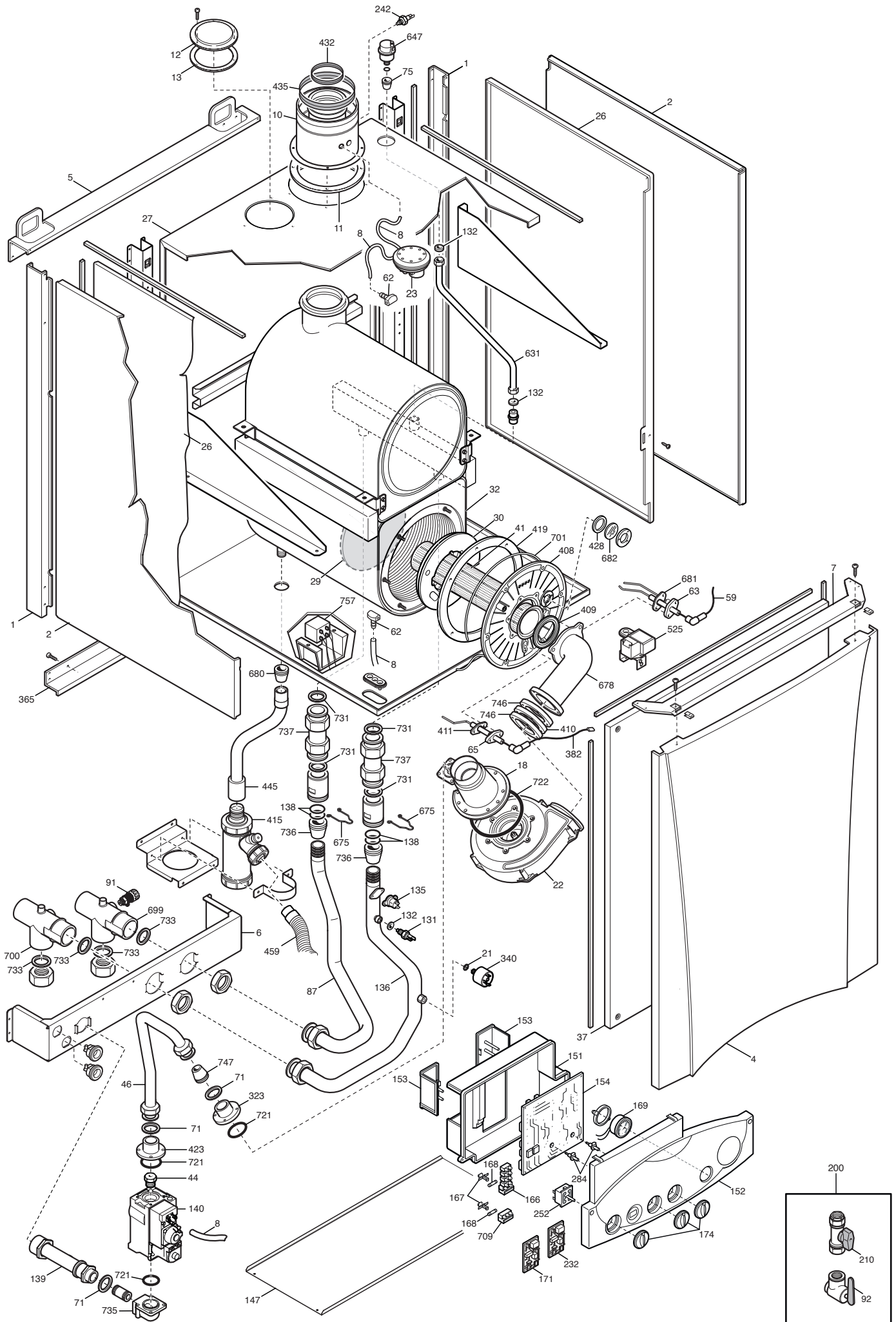
Pos	Code	Description code	<div style="display: flex; justify-content: space-between; font-size: 8px;"> HUBA35100210 1.1000 HUBA35100211 1.1000 HUBA3543210/1/2/3/4 1.450 HUBA3543215 1.450 HUBA3545216 1.450 HUBA3563210/1/2/3/4 1.650 HUBA3563215 1.650 HUBA3563216 1.650 </div>								To serial number	From serial number	Interchangeable:	
27	5115760	COMBUSTION CHAMBER DUOZ CANADA			•			•					B531	
27	5117930	SEALED CHAMBER ASSEMBLY DUOZ				•	•		•	•				
29	5410450	REAR INSULATION	•	•	•	•	•	•	•	•		1339		
29	711465600	REAR INSULAT. 180x16 ASSEMBLY	•	•	•	•	•	•	•	•			1340	YES
30	5410730	INSULATION-BURNER FLANGE	•	•	•	•	•	•	•	•				
32	3624460	HEAT.EXCHANG.DUOZ100KW CAN/USA	•	•										
32	5676350	HEATING EXCHANGER 45KW (6+3)			•							1328		
32	5676360	HEATING EXCHANGER 65KW (8+4)						•						
32	5695910	HEAT EXCHANGER ASS.45KW CANADA				•	•							
32	5695910	HEAT EXCHANGER ASS.45KW CANADA			•								1329	YES
32	5695920	HEAT EXCHANGER ASS.65KW CANADA							•	•				
37	5671130	SEALED CHAMBER COMBUSTION BOX			•			•				B729		
37	5689660	FRONT PANEL COMB.CHAMB.LUNA HT				•	•		•	•				
37	5689660	FRONT PANEL COMB.CHAMB.LUNA HT			•			•					B730	YES
37	5689670	FRONT.PAN.COMB.CHAMB.HT 85-100	•	•										
38	5401610	VIEWING WINDOW GASKET			•	•	•	•	•	•				
39	5203930	VIEWING WINDOW			•	•	•	•	•	•				
40	5103360	SURROUND - VIEWING WINDOW			•	•	•	•	•	•				
41	3621410	BURNER - 110KW	•	•										
41	5670540	BURNER - 45KW			•	•	•							
41	5670560	BURNER - 70/90 KW						•	•	•				
44	620740	CHANGE LPG GAS KIT ASS	•	•										
44	624720	TRANSF.NAT.GAS KIT POWER HT 85	•	•										
46	3624470	PIPE GAS VALVE/FAN LUNAHT1.100	•	•										
46	5676690	PIPE GAS ASSEMBLY HT 1.450			•	•	•							
46	5676700	PIPE GAS ASSEMBLY HT 1.650						•	•	•				
49	5410880	FLUE TEST CAP			•	•	•	•	•	•				
59	8510970	IGNITION ELECTRODE CABLE			•	•	•	•	•	•				
59	8512370	LEAD - IGNITION ELECTRODE	•	•										
62	5409570	SEALED CHAMBER HOSE ADAPTER	•	•										
63	8422830	ELECTRODE - IGNITION	•		•	•		•	•			C008		
63	710220000	ELECTRODE - IGNITION		•			•			•				
63	710220000	ELECTRODE - IGNITION	•		•	•		•	•				C009	YES
65	8422840	ELECTRODE - IONISATION	•		•	•		•	•			C008		
65	710220700	ELECTRODE - IONISATION		•			•			•				
65	710220700	ELECTRODE - IONISATION	•		•	•		•	•				C009	YES
71	3402290	GASKET G1	•	•										
71	5405000	SEALING WASHER - G1			•	•	•	•	•	•				
75	5409240	GROMMET - PIPE ASSY D.10	•	•	•	•	•	•	•	•				
87	5670590	INLET PIPE ASSEMBLY WH50-60-70			•	•	•	•	•	•				
87	5681600	INLET PIPE ASSEMBLY WH110	•	•										
91	5652030	DRAINING TAP	•	•	•	•	•	•	•	•				

Pos	Code	Description code	HU										To serial number	From serial number	Interchangeable:			
			1.1000	HUBA35100210	1.1000	HUBA35100211	1.450	HUBA353210/1/2/3/4	1.450	HUBA3545215	1.450	HUBA3545216				1.650	HUBA35653210/1/2/3/4	1.650
92	5669850	SECURITY VALVE ASS.30 PSI	•	•														
92	5669900	SEC. VALVE ASS.30PSI CANADA			•	•	•	•	•	•								
131	8434840	NTC SENSOR			•	•		•	•									
131	8435400	NTC SENSOR	•	•				•										
132	5402830	WASHER - SENSOR SEALING	•	•	•	•	•	•	•	•								
134	5212740	INJECTOR D.8,5 WH50			•	•	•											
135	9950760	THERMOSTAT - LIMIT			•		•	•			•	•						
135	9950760	THERMOSTAT - LIMIT	•		•					•						B823		YES
135	9951070	LIMIT THERMOSTAT 105C	•		•					•					B822			
136	5670600	OUTLET PIPE ASSEMBLY			•	•	•	•	•	•	•							
136	5681620	OUTLET PIPE ASSEMBLY	•	•														
137	5211780	CONNECTING ELEMENT			•	•	•	•	•	•	•							
138	5400400	GAS VALVE O-RING 28,24X2,62	•	•														
138	5402010	O RING 22.22x2.62			•	•	•	•	•	•	•							
139	3623710	GAS INLET PIPE LUNA HT85-100	•	•														
139	5676680	IN PIPE GAS ASSEMBLY			•	•	•	•	•	•	•							
140	3624420	GAS VALVE SIT822 NOVA CAN/USA	•	•														
140	5676670	GAS VALVE SIT SIGMA 848			•	•	•	•	•	•	•							
147	3111170	REAR TRAVERSE HT85-100	•	•														
147	5109720	LOWER PANEL OUTERCASE			•					•					B640			
147	5116500	LOWER PANEL OUTERCASE			•					•						B641		
147	5116500	LOWER PANEL OUTERCASE				•	•			•	•							
151	5408570	ELECTRIC BOX REAR COVER	•	•	•	•	•	•	•	•	•							
152	5676710	PANEL PLATE LUNA HT 1.450	•		•	•			•	•								
152	711023400	CRUSCOTTO SERIGRAFATO LUNA HT		•				•										
153	5408580	TERMINAL BOARD COVER	•	•	•	•	•	•	•	•	•							
154	3624820	PCB SIEMENS LMU34 120V +INSTR	•	•														
154	5674690	PCB LMU 34 120V			•					•					B715			
154	5689510	PCB LMU34 120V WITH INSTRUC				•	•			•	•							
154	5689510	PCB LMU34 120V WITH INSTRUC			•					•						B715		YES
166	8421590	TERMINAL BLOCK			•	•	•	•	•	•	•							
166	8423320	TERMINAL BOARD	•	•														
167	5405340	FUSE HOLDER	•	•	•	•	•	•	•	•	•							
168	8422730	FUSE 3,15A 250V	•		•	•	•	•	•	•	•							
169	9951020	GAUGE PRESSURE			•					•					B741			
169	9951830	PRESSURE GAUGE	•	•		•	•			•	•							
169	9951830	PRESSURE GAUGE			•					•						B742		YES
171	5676720	RELAY PCB	•	•	•	•	•	•	•	•	•							
174	5410530	KNOB SELECTOR SWITCH	•	•	•	•	•	•	•	•	•							
200	3624490	HYDR.CONNEC.LUNA HT 1.1000 CAN	•	•														
210	3624480	GAS TAP NPT1 CSA (G1)	•	•														
232	5661800	PCB-AGU2.002-REMOTE CONTROL			•					•					B742			

Pos	Code	Description code	HU										To serial number	From serial number	Interchangeable:			
			1.1000	HUB435100210	HUB435100211	1.450	HUB43543210/1/2/3/4	1.450	HUB43543215	1.450	HUB43545216	1.650				HUB435653210/1/2/3/4	1.650	HUB435653215
443	5212090	SUPPORT OVERHEAT FLUE STAT																
445	5410750	RUBBER PIPE L=1000																
445	5412410	EXCHANGER SIPHON PIPE													1229			
445	711139000	CONDENSATE DISCHARGE PIPE																
445	711139000	CONDENSATE DISCHARGE PIPE															1230	YES
459	3402170	CONDENSED DISCHARGE PIPE BLACK																
459	5411610	DISCHARGE PIPE													B544			
525	5676610	ANSTOSS ZAG IGNITOR																
601	5408560	O-RING 8,73x1,78																
631	5670530	AIR VENT PIPE ASSEMBLY																
631	5681520	AIR VENT PIPE WH110																
647	5652730	AUTO AIR VENT																
673	5410760	PVC PIPE 15X23																
675	5114730	PRIMARY EXCHANGER FIXING CLIPS																
675	5116120	PRIMARY EXCHANGER FIXING CLIPS																
678	5213760	COLLECTOR FAN HT 85-100																
678	5671090	AIR/GAS COVER ASSEMBLY																
680	5409250	GROMMET-PIPE ASSY. D.15																
680	5409250	GROMMET-PIPE ASSY. D.15													1328			
680	5413960	HEAT EXCH. FOAM GASKET 45-65KW																
680	5413960	HEAT EXCH. FOAM GASKET 45-65KW															1329	YES
681	5409120	PROTECTION CAP-ELECTRODE													B938			
681	710185300	IGNITION ELECTRODE GASKET																
681	710185300	IGNITION ELECTRODE GASKET															B939	YES
682	5211800	SIGHT GLASS																
695	5410700	FLUE SEPARATOR GASKET																
696	5410690	AIR COLLECTOR																
696	5412080	COLLECTOR SEPARATOR FLUE																
696	5412080	COLLECTOR SEPARATOR FLUE															B531	
699	5212680	INLET ELEMENT																
699	5213800	INLET ELEMENT																
700	5212690	OUTLET ELEMENT																
700	5213810	OUTLET ELEMENT																
701	5212780	GASKET D.6																
702	5409270	AIR COLLECTOR GASKET D.70																
709	8423160	TERMINAL BLOCK																
709	8423330	BOX FOR FUSE																
721	3400430	GAS VALVE O-RING (UPPER)																
722	3402100	O-RING 70X3																
728	8380810	SPRING BIFILO DIAM.24,5																
728	8380810	SPRING BIFILO DIAM.24,5															1230	YES
728	8380880	SPRING D26													1229			

Tab 46





BAXI

BAXI S.p.A.
Via Trozzetti, 20
36061 BASSANO DEL GRAPPA (VI)
ITALY
Tel. +390424517111
Telefax +390424517379
E-mail. service@baxi.it