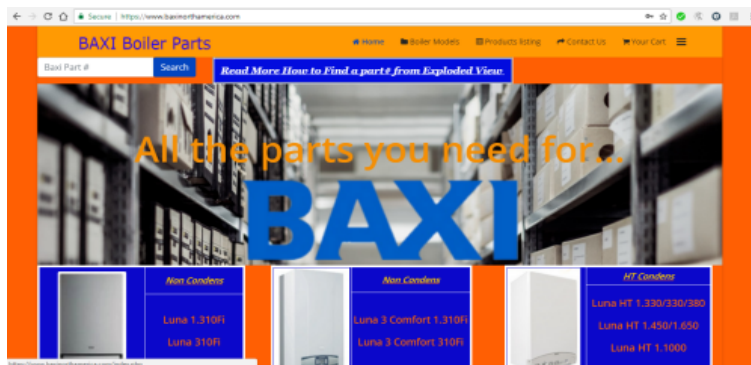


How to Find a Part# from Exploded View

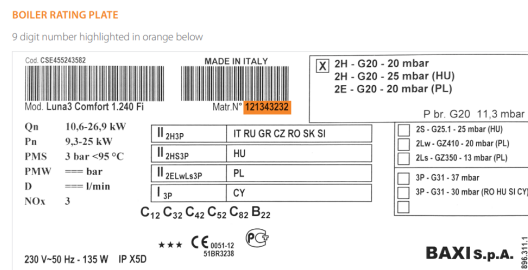
This is the Home Page of <https://baxinorthamerica.com>.



1. If you already know the Part# you are looking for, just insert it in the “Search” section and press Search Button, then follow the store instructions.



2. If you don't know the part number then you need:
 - Baxi Model – i.e. HT 1.330, or Luna 3 Comfort 310, or Duo-tec 40GA, etc.
 - Serial Number from the label
 - The Boiler Serial Number can be located on the boiler rating plate or on one of the additional labels that are issued with each boiler.



ADDITIONAL LABELS

Product ID number Label

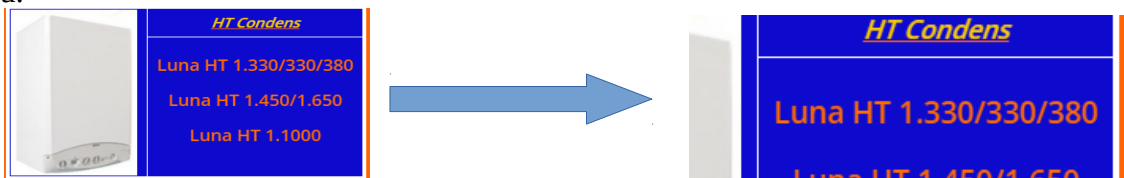


Serial Number Labels



- For some models the serial number can usually be found on the drop down panel on the front of the boiler.
- Some boilers have a tag underneath the boiler that slides out to reveal the serial number.
- Product ID number label or HUB/CUD ID number

Having this informations scroll down to choose your Baxi Boiler model and click the option best match for you.



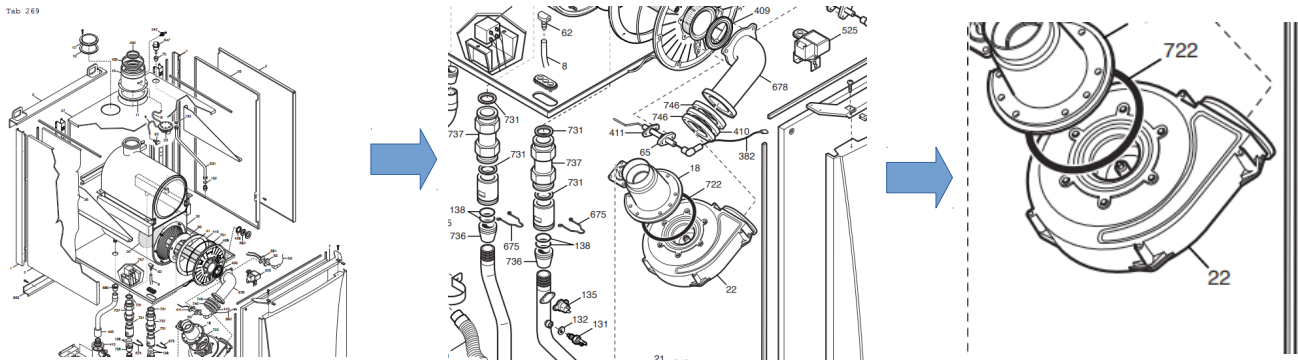
A new tab will open into your browser and the few Exploded View pages will give you the all informations to find the right part number.
Please read very carefully this page:

HOW TO READ THE SPARE PARTS CATALOGUE

In the spare part catalogue, after the exploded diagrams, there are the components lists of the boilers; this is the meaning of the different columns:

- Pos. Identification number of the component in the exploded diagram of the boiler.
- Description Short description of the component.
- Code BAXI S.p.A. code of the component.
- Tab. XX XX is the exploded diagram number of the boiler taken into consideration.
- Until 31th December 2011
- From serial number Date (year and week) identifying the beginning of production of a component (taken from the serial number of the boiler).
e.g. B005: year 2000 (B identifies the decade 2000-2009; 0 identifies the year) – 5th week.
If the box is empty, the component is in use from the beginning of production of the boiler.
- To serial number Date (year and week) identifying the end of production of a component (taken from the serial number of the boiler).
e.g. B012: year 2000 (B identifies the decade 2000-2009; 0 identifies the year) – 12th week.
If the box is empty, the component is still in use.
- Interchangeable It identifies the interchangeability between the new component and the old one.
YES: components are interchangeable.
NO: components are not interchangeable.

Then, scroll to your best match Exploded View page.



Keep in mind / write down the number attached on the drawing for the part you need. This is the “Pos”.
Additional, having the serial number and the HUB/CUD ID, go to the part list table.

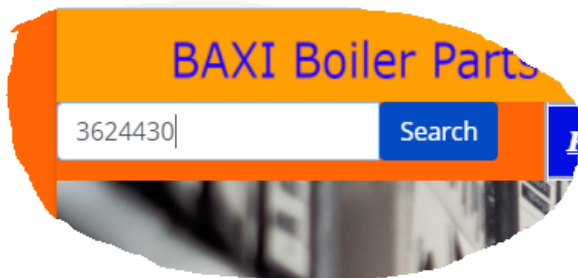
LUNA HT

Pos	Code	Description code	00001 00002 00003 00004 00005 00006 00007 00008 00009 00010
1	5106510	REAR SUPPORT	•
1	5116480	SUPPORT FRAME	•
1	5116480	SUPPORT FRAME	•
2	3624180	LATERAL PANEL ASS. HT85-100	•
2	5663160	LEFT PANEL ASSEMBLY	•
2	5684630	LEFT PANEL ASSEMBLY SX ATM	•
2	5684630	LEFT PANEL ASSEMBLY SX ATM	•
3	5663140	RIGHT PANEL ASSEMBLY FF	•
3	5684620	RIGHT PANEL ASSEMBLY FF	•

Scroll to your “Pos”

21	5402050	WASHER-SEALING	•	•	•
22	3624430	FAN RG148/1200 CANADA	•	•	•
22	5676650	HT HT	•	•	•
22	610630	CILIE DDESSIDE SWITCCH ANA 2500A	•	•	•

This is the “Part#” number for “Search” section.



Done!