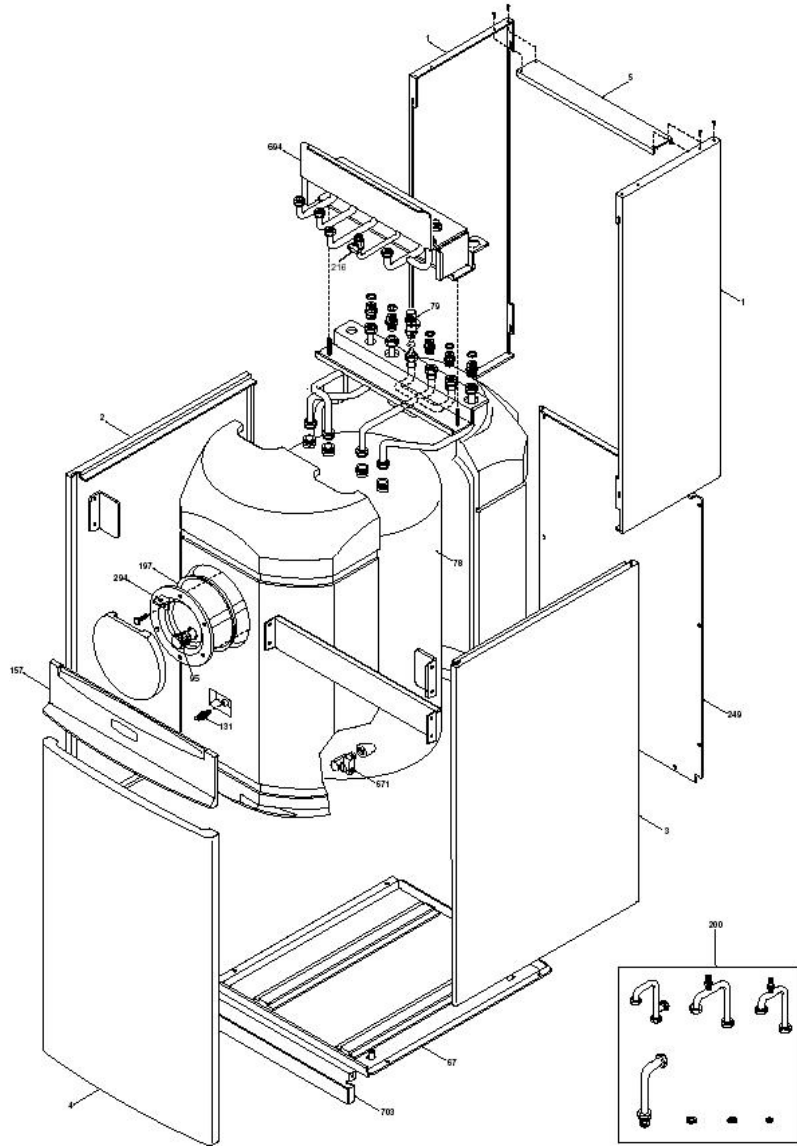


BAXI



Combi



SPARE PARTS CATALOGUE

- May 2011 -

HOW TO READ THE SPARE PARTS CATALOGUE

In the spare part catalogue, after the exploded diagrams, there are the components lists of the boilers; this is the meaning of the different columns:

Pos.	Identification number of the component in the exploded diagram of the boiler.
Description	Short description of the component.
Code	BAXI S.p.A. code of the component.
Tab. XX	XX is the exploded diagram number of the boiler taken into consideration.
From serial number	Date (year and week) identifying the beginning of production of a component (taken from the serial number of the boiler). e.g. B005: year 2000 (B identifies the decade 2000-2009; 0 identifies the year) – 5th week. If the box is empty, the component is in use from the beginning of production of the boiler.
To serial number	Date (year and week) identifying the end of production of a component (taken from the serial number of the boiler). e.g. B012: year 2000 (B identifies the decade 2000-2009; 0 identifies the year) – 12th week. If the box is empty, the component is still in use.
Interchangeable	It identifies the interchangeability between the new component and the old one. YES: components are interchangeable. NO: components are not interchangeable.

BOILERS CONNECTION BOARD - EXPLODED VIEW

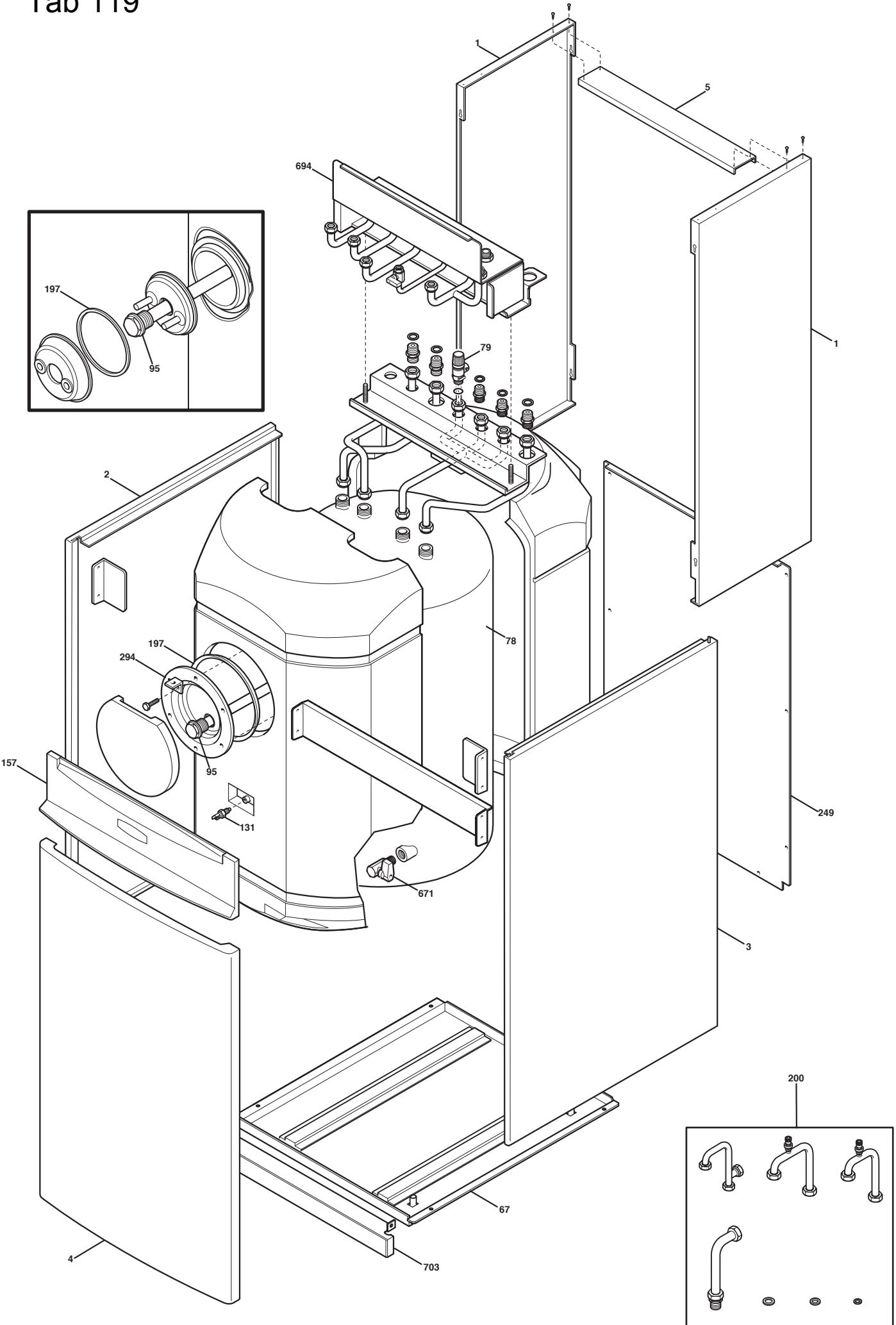
TABELLA COLLEGAMENTO CODICE CALDAIA - ESPLOSO

TABLERO UNIÓN CALDERA - EXPLOSIONADO

TABLEAU CONNECTION CODEX CHAUDIERE - VUE ECLATEE

BOILER CODE	BOILER DESCRIPTION	EXPLODED REF.
CODICE CALDAIA	DESCRIZIONE CALDAIA	RIF. ESPLOSO
CODIGO CALDERA	DESCRIPCION CALDERA	REF. EXPLOSIONADO
CODE CHAUDIÈRE	DESCRIPTION CHAUDIÈRE	RÉF. EXPLOSÉE
KUL714095710	MODULO CANADA - U.S.A.	Tab 119
KUL714095711	MODULO CANADA - U.S.A.	Tab 119
KUL714095712	MODULO CANADA - U.S.A.	Tab 119
KUL714095713	MODULO CANADA - U.S.A.	Tab 119

Tab 119



MODULO PARTS LIST

Pos.	Description	Code	tab.1	tab.2	
			MODULO		
1	Left and Right Rear Abutment	3111150	•	•	
2	Left Panel	620850	•	•	
3	Right Panel	620840	•	•	
4	Frontal Door Panel	620830	•	•	
5	Rear Abutment Traverse	3110030	•	•	
67	Boiler Basin Assembly	3619910	•	•	
78	Tank Assembly D.400	3621580	•	•	
79	Safety Relief Valve	3621600	•	•	
95	Cap/Anode Assembly	3627180	•	•	
131	NTC Sensor	8435400	•	•	
157	Magnetic Modulo Front Panel Plate	3401990	•	•	
197	Inspection Seal/ Flange Gasket	3401860	•		
197	New Style Inspection Seal 85,09 x 5,34 EPDM	5412820		•	
200	Connection Assembly	3621640	•	•	
249	Modulo Rear Panel	3109950	•	•	
294	Flange/Anode Assembly	3619970	•	•	
671	1/2" Draining Tap	5646780	•	•	
694	Combi Connection Group	619650	•	•	
703	Modulo Base (to S/N#B642)	3109960	•		
703	Modulo Base (from S/N#B643)	3111140		•	

BAXI

BAXI S.p.A.
Via Trozzetti, 20
36061 BASSANO DEL GRAPPA (VI)
ITALY
Tel. +390424517111
Telefax +390424517379
E-mail. service@baxi.it