

BAXI



Luna Duo-tec

North America

SPARE PARTS CATALOGUE

- June 2014 -

HOW TO READ THE SPARE PARTS CATALOGUE

In the spare part catalogue, after the exploded diagrams, there are the components lists of the boilers; this is the meaning of the different columns:

Pos. Identification number of the component in the exploded diagram of the boiler.

Description Short description of the component.

Code BAXI S.p.A. code of the component.

Tab. XX XX is the exploded diagram number of the boiler taken into consideration.

From serial number Date (year and week) identifying the beginning of production of a component (taken from the serial number of the boiler).
e.g. 1201: year 2012 (1 identifies the decade 2010-2019; 2 identifies the year)– 01th week.
If the box is empty, the component is in use from the beginning of production of the boiler.

To serial number Date (year and week) identifying the end of production of a component (taken from the serial number of the boiler).
e.g. 1225: year 2012 (1 identifies the decade 2010-2019; 2 identifies the year) – 25th week.
If the box is empty, the component is still in use.

Interchangeable It identifies the interchangeability between the new component and the old one.
YES: components are interchangeable.
NO: components are not interchangeable

TABELLA COLLEGAMENTO CODICE CALDAIA - ESPLOSO TABLEAU CONNECTION CODEX CHAUDIERE - VUE ECLATEE BOILERS CONNECTION BOARD - EXPLODED VIEW

BOILER CODE	BOILER DESCRIPTION	EXPLODED REF.
CODICE CALDAIA	DESCRIZIONE CALDAIA	RIF. ESPLOSO
CODIGO CALDERA	DESCRIPCION CALDERA	REF. EXPLOSIONADO
CODE CHAUDIÈRE	DESCRIPTION CHAUDIÈRE	RÉF. EXPLOSÉE
711080803	LUNA DUO-TEC 40 GA CANADA	Tab 498
711080902	LUNA DUO-TEC 1.33 GA CANADA	Tab 499
711080901	LUNA DUO-TEC 1.33 GA CANADA	Tab 499
711080802	LUNA DUO-TEC 40 GA CANADA	Tab 498
711080801	LUNA DUO-TEC 40 GA CANADA	Tab 498

Luna Duo-tec

Pos	Code	Description code	711080801 40 GA	711080802 40 GA	711080803 40 GA	711080901 1.33 GA	711080902 1.33 GA	To serial number	From serial number	Interchangeable:
2	710066300	LEFT PANEL ASSEMBLY	•	•	•	•	•			
3	710066200	RIGHT PANEL ASSEMBLY	•	•	•	•	•			
4	710194800	FRONTAL PANEL ASSEMBLY	•	•	•	•	•			
8	5408080	PRESSURE SWITCH PIPE L=270	•	•	•	•	•			
10	711085100	FLUE CONNECTION 60/100	•	•	•	•	•			
11	5409010	GASKET ADAPTOR	•	•	•	•	•			
12	5108690	PLATE BLANKING	•	•	•	•	•			
13	5407400	SUCTION CAP GASKET	•	•	•	•	•			
18	710458100	MIXER PL30 C1500107	•	•	•	•	•			
21	5402050	WASHER-SEALING	•	•	•	•	•			
22	711073900	FUN NRG 118 CANADA	•	•	•	•	•			
23	619630	FLUE PRESSURE SWITCH 400-350Pa	•	•	•	•	•			
24	5414320	PIPE-VALVE COMPENS.4,5x8 L=170	•	•	•	•	•			
27	632310	C FRAME CANADA BIT. WITH CAP		•	•					
27	632320	C FRAME MONO CANADA WITH CAP					•			
27	711085400	C FRAME CANADA	•							
27	711175300	C FRAME MONO. CANADA				•				
29	710283700	DEFLECTOR INSULATION SPARE	•	•	•	•	•			
30	5411020	INSULATION PANEL	•	•	•	•	•			
32	711071500	HEAT EXCHANGER BASIC 6E CAN.	•			•				
32	711447000	HEAT EXCHANGER BASIC 6E CAN.		•	•		•			
33	710963000	OR 21,5X3 EP70 TFL	•	•	•	•	•			
34	711260500	CLIP EXCHANGER	•			•				
34	711449800	EXCHANGER CLIP		•	•		•			
35	710022400	EXPANSION VASSEL 10L	•	•	•	•	•			
36	710157400	EXPANSION VESSEL PIPE	•	•	•	•	•			
41	710448100	BURNER PX968a	•	•	•	•	•	1418		
41	711570600	BURNER/FLANGE 6E ASS.	•	•	•	•	•		1419	YES
48	710282300	CONDENSING WATER TRAY 80/60 IT	•	•	•	•	•			
49	5409280	TAP ADAPTOR	•	•	•	•	•			
59	711250600	IGNITION ELECTRODE CABLE CAN.	•	•	•	•	•			
63	710220000	ELECTRODE - IGNITION	•	•	•	•	•			
65	710424200	FLAME SENSOR B&P	•	•	•	•	•			
70	711062400	PUMP/EXCHANGER PIPE ASSEMBLY	•			•				
70	711425800	PUMP/EXCHANGER PIPE ASSEMBLY		•	•		•			
72	710786500	PUMP UPR 15-58 2VEL L4 120V	•	•	•	•	•			
73	710493600	AIR VENT PUMP GR.	•	•	•	•	•			
76	5689930	EXCHANGER 20 PLATE TO PLATE	•	•						
76	711613200	DHW PLATE EXCHANGER 20 PLATES			•					
77	5404520	DHW PLATE EXCHANGER GASKET	•	•						
77	711613500	DHW PLATE EXCHANGER OR			•					
80	710266700	RETURN/FILLING TAP ASSY SYSTEM				•	•			
80	711189300	HYDRAULIC INLET ASS. 14L	•	•						
80	711607100	HYDRAULIC INLET ASS. 14L			•					

Luna Duo-tec

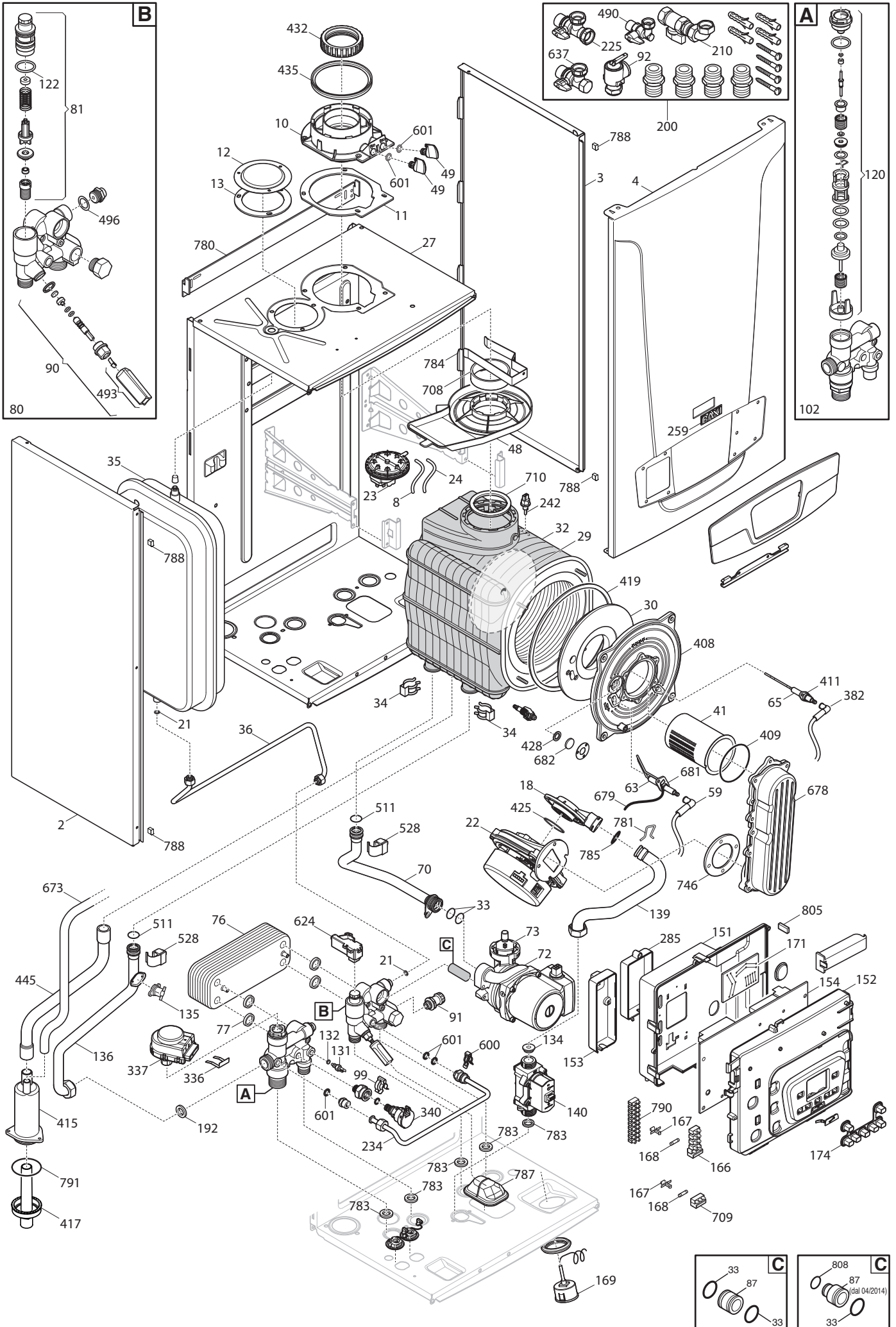
Pos	Code	Description code	711089001 40 GA	711089002 40 GA	711089003 40 GA	1.33 GA 711089001	1.33 GA 711089002				To serial number	From serial number	Interchangeable:
81	632130	FILTER ASSEMBLY ADAPTER 14L	•	•							1408		
81	711633600	FILTER ASSEMBLY ADAPTER 14L			•								
81	711633600	FILTER ASSEMBLY ADAPTER 14L	•	•								1409	YES
87	710185800	PUMP CONNECTING ELEMENT WILO	•	•									
87	711652200	PUMP CONNECTING ELEMENT/OR GRUN			•								
90	620890	FILLING GR.WITH TURBINE 120074	•	•	•								
91	5652030	DRAINING TAP	•	•	•	•	•						
92	5669850	SECURITY VALVE ASS.30 PSI	•	•	•	•	•						
98	5672770	BY-PASS PIPE ASSEMBLY				•	•						
99	8380850	FIXING CLIP	•	•	•	•	•						
102	5683540	3 WAY VALVE/MB GROUP LUNA3				•	•						
102	711107400	3 WAY VALVE ASS.W.OUT BY-PASS LUN	•	•									
102	711605800	3 WAY VALVE ASS.			•								
113	617100	BY-PASS GR.				•	•						
119	605760	HYDRAULIC VENTURI ASSEMBLY				•	•						
120	600750	SPACER ASSEMBLY				•	•						
120	711356900	3 WAY VALVE CARTRIDGE	•	•	•								
122	5405370	O-RING	•	•	•								
131	710831500	NTC SENSOR SO11026	•	•	•								
132	5402830	WASHER - SENSOR SEALING	•	•	•								
134	710458500	INJECTOR D. 5,8 mm	•	•	•	•	•						
135	9950760	THERMOSTAT - LIMIT	•	•	•	•	•						
136	711058200	FLOW PIPE 6E	•			•							
136	711425900	FLOW PIPE 6E		•	•		•						
139	711007100	FLEXIBLE GAS PIPE 6E ELEMENTS	•	•	•	•	•						
140	710089600	GAS VALVE B&P SGV100	•	•	•	•	•						
151	711075100	CONTROL PANEL COVER	•	•	•	•	•						
152	711074800	CONTROL PANEL	•	•	•	•	•						
153	711075600	TERMINAL BLOCK COVER V0	•	•	•	•	•						
154	711370000	PCB B&P CANADA	•	•	•	•	•						
166	8421590	TERMINAL BLOCK	•	•	•	•	•						
167	5405340	FUSE HOLDER	•	•	•	•	•						
168	8422730	FUSE 3,15A 250V	•	•	•	•	•						
169	710554900	MANOMETER	•	•	•	•	•						
171	711366900	PCB ROOM TH CANADA ASSEMBLY	•	•	•	•	•						
174	710126300	7 PUSH BUTTON PANEL B&P	•	•	•	•	•						
191	5408970	WASHER - SEALING G1/2				•	•						
192	5404650	SEALING WASHER G 3/4	•	•	•	•	•						
200	711254800	CONNECTION ASSEMBLY	•	•	•								
200	711255300	HYDR.CONN. LUNA4 CANADA MONO				•	•						
210	5643330	GAS TAP	•	•	•	•	•						
225	711096100	TAP HR W/FILTER	•	•	•	•	•						
234	711052300	FILLING PIPE	•	•	•								
242	711180100	NTC SENSOR	•	•	•	•	•						

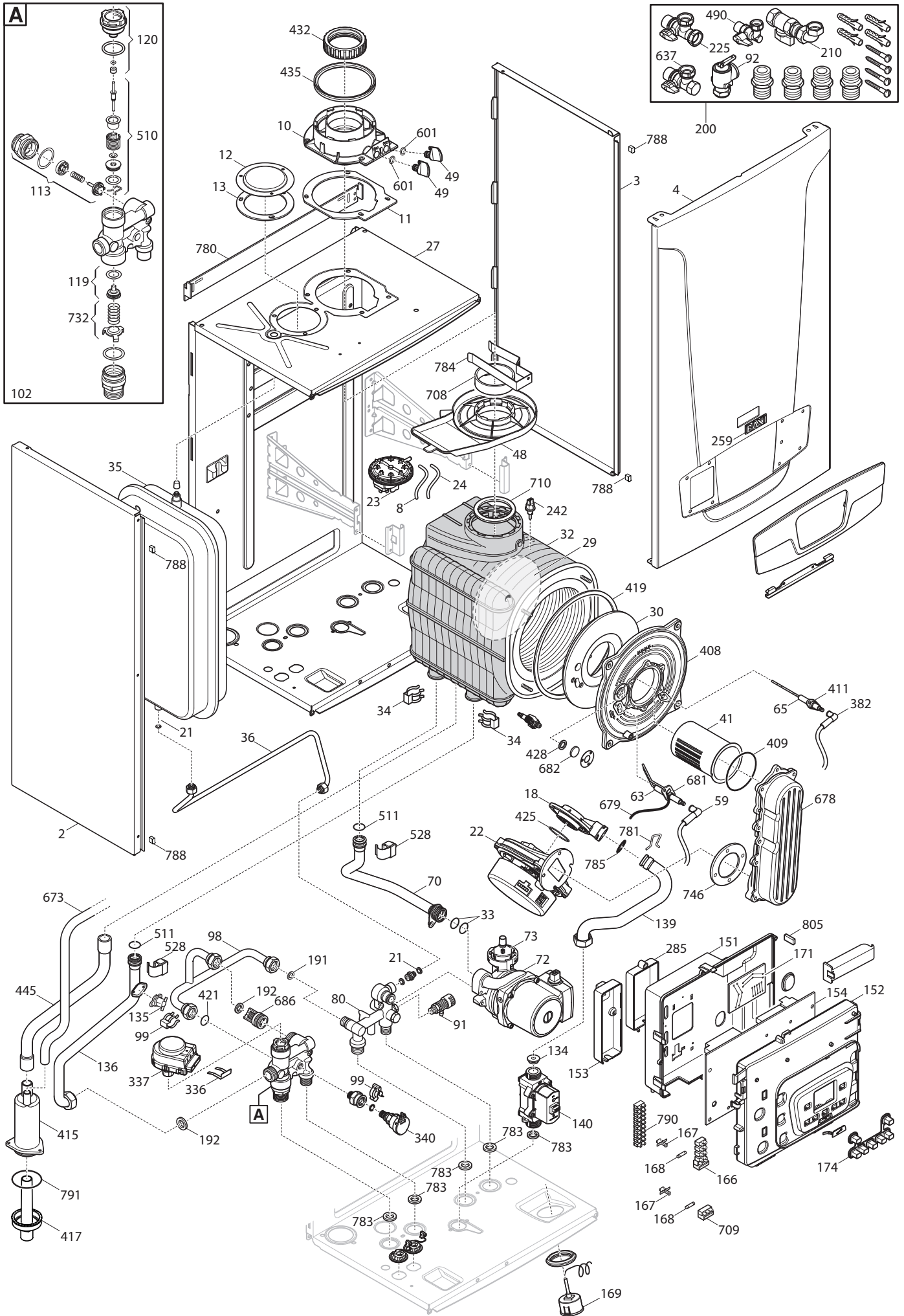
Luna Duo-tec

Pos	Code	Description code	711080801 40 GA	711080802 40 GA	711080803 40 GA	711080901 1.33 GA	711080902 1.33 GA				To serial number	From serial number	Interchangeable:
259	710419300	BRAND BAXI	•	•	•	•	•						
280	5207730	GASKET 14,2X18X1,5	•	•	•	•	•						
285	710083600	COVER CLIP-IN	•	•	•	•	•						
336	8380680	CLIP-RETAINING	•	•	•	•	•						
337	5696390	3 WAY VALVE MOTOR 120V	•	•	•	•	•						
340	710109100	PRESSURE SENSOR	•	•	•	•	•						
382	710127500	CABLE DETECTION ELECTRODE	•	•	•	•	•						
408	5212900	COMB.CHAMBER UPPER COVER	•	•	•	•	•			1418			
408	711571000	COMB.CHAMBER UPPER COVER	•	•	•	•	•				1419		YES
409	5413530	GASKET BURNER	•	•	•	•	•			1418			
409	721543100	BURNER GASKET ASS.	•	•	•	•	•				1419		YES
411	710185200	FLAME SENSING ELEC.GASKET	•	•	•	•	•						
415	710016700	SIPHON BODY	•	•	•	•	•						
417	710522300	PLUG SIPHON	•	•	•	•	•						
419	5411000	COMB.CHAMBER GASKET	•	•	•	•	•						
421	5408270	O-RING 11,91 X 2,62 NBR				•	•						
425	710042400	VENTURI GASKET	•	•	•	•	•						
428	5409290	GASKET	•	•	•	•	•						
432	5410420	WASHER DIA 60 OUTLET BEND	•	•	•	•	•						
435	5407550	WASHER DIA100 OUTER ADAPT SEAL	•	•	•	•	•						
445	710066100	PIPE EXCHANGER/SYPHON	•	•	•	•	•						
490	711087000	TAP ES G1/2	•	•	•								
493	620880	FILLING KNOB ASS.L=50-10.0318-	•	•	•								
496	400020	O-RING	•	•	•	•	•						
510	600760	DHW PADDLE ASSEMBLY				•	•						
511	5411330	OR 20,24X2,62 EPDM		•	•		•						
511	711180900	OR d.18 X 3 EPDM	•			•							
528	710439300	SENSOR TODS	•	•	•	•	•						
600	5112530	SPRING	•	•	•								
601	710107800	O-RING 8,73x1,78	•	•	•	•	•						
624	8435380	FLOW RILEVATOR	•	•	•	•	•						
637	710883800	TAP FOR EX. TANK L4 FR	•	•	•								
673	710066000	CONDENS. PIPE/SYPHON L=680mm	•	•	•	•	•						
678	710051400	AIR-GAS CONVEYOR ASS.LUNA4	•	•	•	•	•						
679	710993800	CABLE GROUND FOR ELECTRODE	•	•	•	•	•						
681	710185300	IGNITION ELECTRODE GASKET	•	•	•	•	•						
682	5211800	SIGHT GLASS	•	•	•	•	•						
686	5663020	BY-PASS PLUG ASSEMBLY				•	•						
708	5410970	GASKET WITH DOUBLE LIP	•	•	•	•	•						
709	8423160	TERMINAL BLOCK	•	•	•	•	•						
710	5411030	GASKET	•	•	•	•	•						
732	620210	SPRING ASS.				•	•						
746	5410900	VENTURI GASKET	•	•	•	•	•						
780	710014800	UPPER SUPPORT	•	•	•	•	•						

Luna Duo-tec

Pos	Code	Description code	711080801 40 GA	711080802 40 GA	711080803 40 GA	711080901 1.33 GA	711080902 1.33 GA				To serial number	From serial number	Interchangeable:
781	710011400	CLIP FIX GAS PIPE	•	•	•	•	•						
783	710039500	HYDRAULIC GROUP GASKET	•	•	•	•	•						
784	711085500	REDUCTION FLUE SUPPORT	•	•	•	•	•						
785	710061400	O RING GAS PIPE 18 X 3 NBR	•	•	•	•	•						
787	710156200	SEAL FILLING TAP	•	•	•								
788	710176000	COMBUSTION CHAMBER GASKET C	•	•	•	•	•						
790	710117900	TERMINAL BLOCK 10 PIN PA35	•	•	•	•	•						
791	5411840	O-RING 40,95x2,62-EPDM	•	•	•	•	•						
805	711370100	EASY SERVICE KEY ASS.	•	•	•	•	•						
808	721311400	O-RING 18X2			•								
999	8417650	POWER CABLE UL-CSA	•	•	•	•	•						
999	710079700	CABLE NTC ADDED	•	•	•	•	•						
999	710103100	CABLE GROUND FRAME	•	•	•	•	•						
999	710126700	CABLE TERM.BLOCK ROOM THERMOST	•	•	•	•	•						
999	710992900	REMOTE CONTROL CABLE	•	•	•	•	•						
999	710993000	GAS VALVE POWER CABLE	•	•	•	•	•						
999	710993100	LOW TENSION CABLE	•	•	•								
999	710993200	CABLE PWM FAN	•	•	•	•	•						
999	710993300	CABLE 3VV/PUMP/FAN	•	•	•	•	•						
999	710993400	PCB POWER CABLE	•	•	•	•	•						
999	710993500	CABLE EXTERNAL BOILER	•	•	•								
999	710993700	CABLE SAFETY THERMOSTAT	•	•	•	•	•						
999	710993900	LOW TENSION CABLE				•	•						
999	710994000	CABLE EXTERNAL SENSOR/BOILER				•	•						
999	711065800	CABLE NTC FLUE	•	•	•	•	•						





BAXI

BAXI S.p.A.
Via Trozzetti, 20
36061 BASSANO DEL GRAPPA (VI)
ITALY
Tel. +390424517111
Telefax +390424517379
E-mail. service@baxi.it